

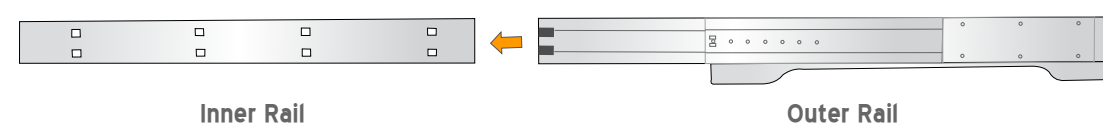
SnapStream Quick Start

1

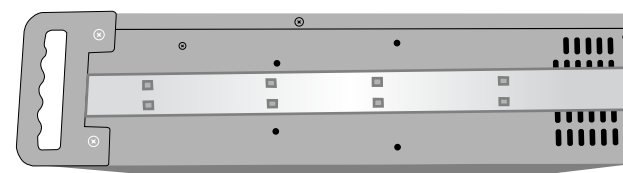
Rackmount the SnapStream appliance

Your SnapStream appliance was provided with rackmount rails, install those rails on appliance unit and then install the SnapStream appliance in your server rack.

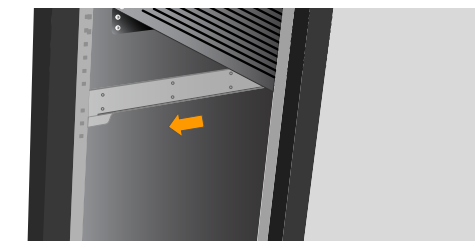
- 1-1 Pull the inner rail out until the rail is fully expanded and detach it from the outer rail.



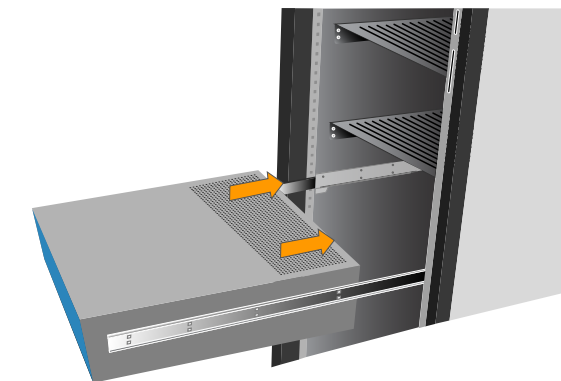
- 1-2 Attach the inner rail and mount them to each side of your SnapStream appliance.



- 1-3 Attach the outer rail to either end of your server rack. The rails clip easily to a square hole rack but we also include adapters to fit other types of server racks.



- 1-4 Carefully lift the SnapStream appliance and insert the ends of the inner rails into the rail assembly. Be sure to fully extend the rails before installing them. The appliance should slide in and out smoothly on the rails.



2

Connect TV Source (digital cable or satellite)

Using the included cables, connect your incoming TV source to the SnapStream appliance.

- 2-1 If a USB hub is provided, connect it to a USB port on the back of the SnapStream appliance.

- 2-2 Label each of your set-top boxes (STBs) with a number: 1, 2, 3, 4, etc.

The following steps will be repeated for all STBs in pairs, beginning with 1 and 2.

- 2-3 Connect each USB-UIRT to one of the USB ports on the back of the USB hub. NOTE: Each UIRT will be labeled: USB-UIRT, USB-UIRT-2, USB-UIRT-3, etc. Each USB-UIRT will control 2 different boxes, so if you have to control 6 boxes, you only need 3 USB-UIRTs (USB-UIRT, USB-UIRT-2, and USB-UIRT-3).

- 2-4 Connect the Y-connector labeled "1&2" to the USB-UIRT. These labels indicate which zone/port is being used for each blink emitter.

- 2-5 Attach a blink emitter bulb over the IR sensor of each set-top box.

- 2-6 Connect blink emitters to Y-connectors. The blink emitter for STB 1 will plug into USB-UIRT zone 1. The blink emitter for STB 2 will plug into USB-UIRT zone 2. The blink emitter for STB 3 will plug into USB-UIRT-2 zone 1. The blink emitter for STB 4 will plug into USB-UIRT-2 zone 2. Continue plugging the blink emitters and USB-UIRTs as needed.

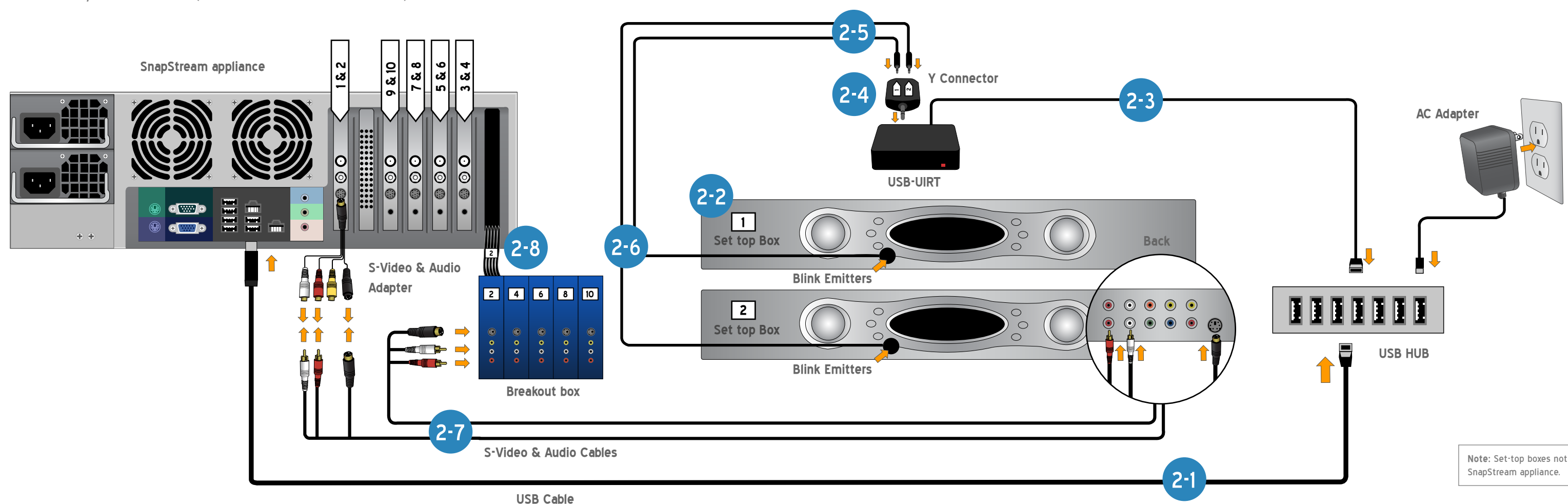
- 2-7 Use the labeled S-video/audio cable and one S-video/audio adapter to connect each STB to the corresponding input of the SnapStream appliance tuner cards.

IMPORTANT: For each STB, the following numbers should match:

- The number on the STB.
- The number on the S-Video cable.
- The number of the tuner card input.

- 2-8 Attach labeled breakout box with labeled connections coming out of the back of the SnapStream appliance.

- 2-9 Repeat steps 2-3 through 2-8 for all remaining pairs of STBs.

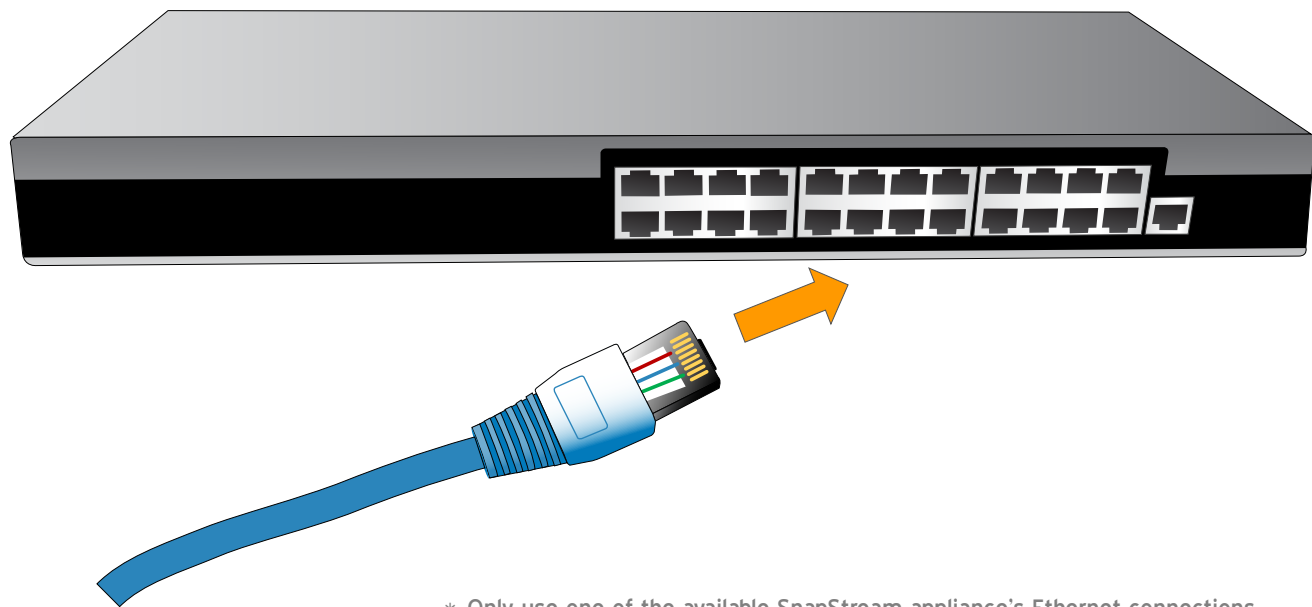


Note: Set-top boxes not included with SnapStream appliance.

3

Connect Network

Connect the SnapStream appliance into the appropriate network router or switch using the supplied RJ-45 network cable.*

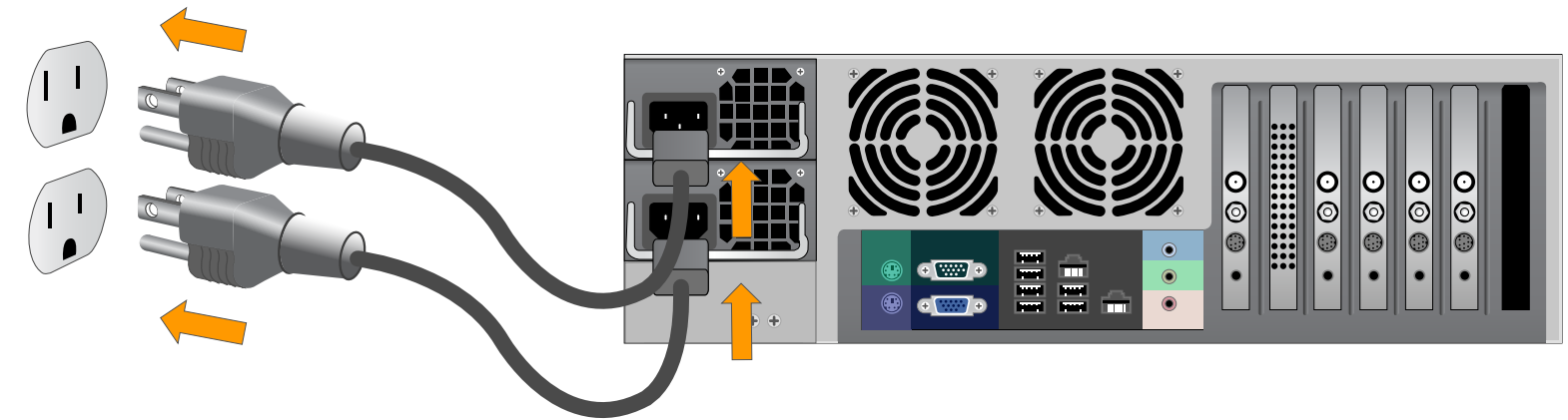


* Only use one of the available SnapStream appliance's Ethernet connections.

4

Connect Power

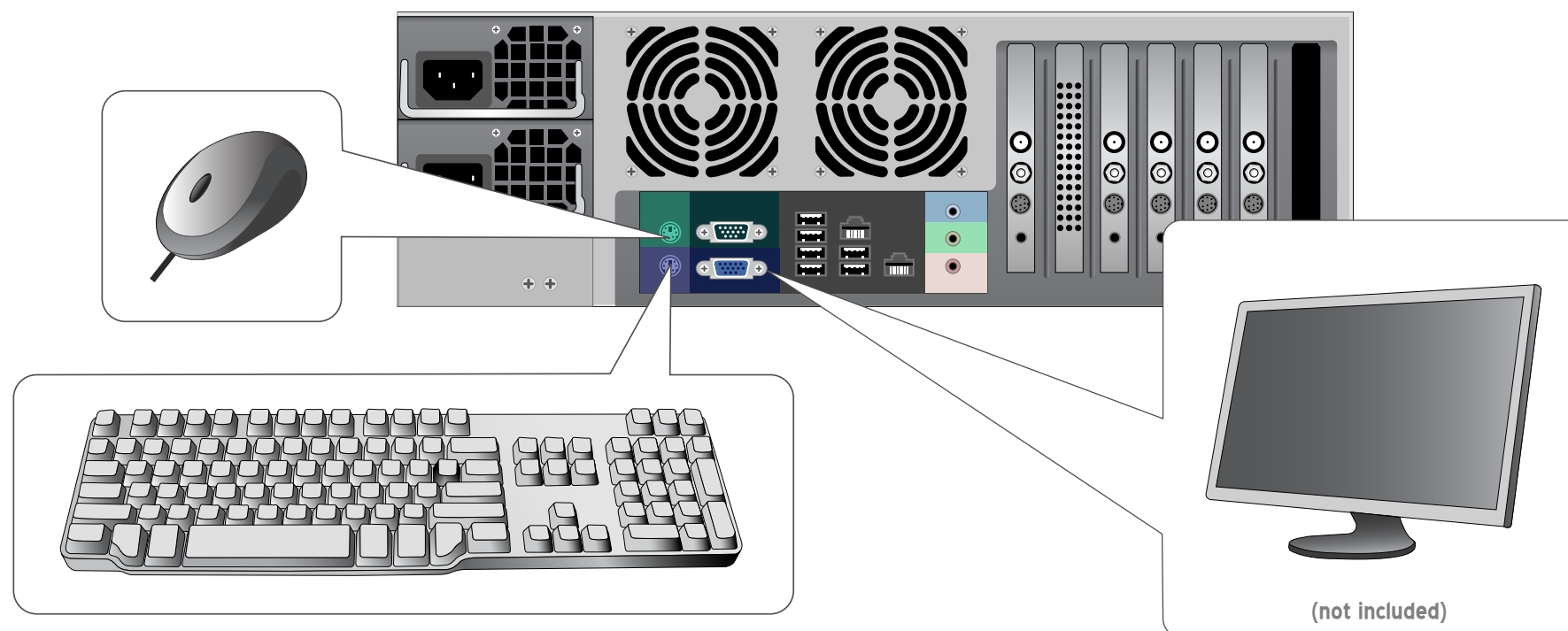
Connect the SnapStream appliance power cables to a 120V power source. We recommend connecting to a UPS. See SnapStream Administration Guide for more information.



5

Connect Keyboard, Monitor, and Mouse

Connect a keyboard, a monitor, and a mouse to the corresponding connectors on the SnapStream appliance for initial testing.



6

Boot up SnapStream appliance

Once you have completed all of the installation steps above, boot up the SnapStream appliance.



7

Install SnapStream Link

Install a SnapStream Link client using the provided USB key on any PC on the local network to give it access to the SnapStream appliance. Use the client to test live TV.



Finished!

If you have any questions about your setup, please call support at: 1-877-696-3674